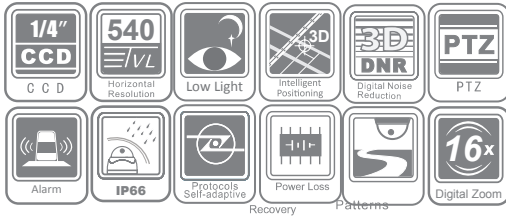


DS-2AF1-714/716/718

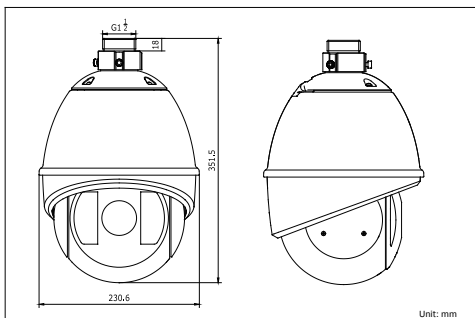
IR Analog High Speed Dome



Key features

- 1/4" Sony Super HAD CCD
- High resolution of 540TVL (Color) / 600TVL (B/W)
- True day/night, Digital WDR, 3D DNR
- 23x/30x/36x Optical Zoom, 16x Digital Zoom
- 80m IR Distance
- 3D intelligent positioning function
- IP66 Weatherproof

Dimensions



Accessories



	DS-2AF1-714	DS-2AF1-716	DS-2AF1-718
Camera			
Image sensor	1 / 4" Sony Super HAD CCD		
Effective pixel	PAL: 752 (H) × 582 (V), NTSC: 768 (H) × 494 (V)		
Horizontal resolution	Color: 540 TVL, B / W: 600 TVL		
Signal system	PAL / NTSC		
Min.illumination	Color: 0.2 lux@F1.6, B / W: 0.02 lux@F1.6, 0 lux with IR	Color: 0.2Lux / F1.4, B / W: 0.02Lux / F1.4, 0 Lux with IR	Color: 0.2Lux / F1.6, B / W: 0.02Lux / F1.6, 0 Lux with IR
White balance	Auto / manual / ATW / indoor / outdoor		
AGC	Auto / manual		
S / N ratio	≥ 50dB		
BLC	On / off		
Shutter time	PAL: 1 / 50 ~ 1 / 10,000s NTSC: 1 / 60 ~ 1 / 10,000s	PAL: 1-1 / 10,000s NTSC: 1-1 / 10,000s	PAL: 1-1 / 10,000s NTSC: 1-1 / 10,000s
Day & night	IR cut filter		
Digital zoom	16x		
Focus model	Auto / semi-automatic / manual		
Lens			
Focal length	3.84 ~ 88.4 mm, 23x	3.5 ~ 105mm, 30X	3.4 ~ 122.4mm, 36X
Zoom speed	Approx.5.1s (optical Wide-Tele)	Approx.5.4s (Optical Wide-Tele)	Approx.5.4s (Optical Wide-Tele)
Angle of view	52.2 ~ 2.36° (Wide-Tele)	56.4 ~ 2.0° (Wide-Tele)	57.8 ~ 1.7° (Wide-Tele)
Min. working distance	10 ~ 1,200mm (Wide-Tele)	10 ~ 1,000mm (Wide-Tele)	10 ~ 1,000mm (Wide-Tele)
Aperture range	F1.6 ~ F4.5	F1.4 ~ F3.7	F1.6 ~ F4.5
Pan and tilt			
Pan range	360° endless		
Pan speed	Pan manual speed: 0.1° ~ 160° / s, pan preset speed: 240° / s		
Tilt range	-10° ~ 90° (auto flip)		
Tilt speed	Tilt manual speed: 0.1° ~ 120° / s, tilt preset speed: 200° / s		
Proportional zoom	Rotation speed can be adjusted automatically according to zoom multiples		
Number of preset	256		
Patrol	8 patrols, up to 32 presets per patrol		
Pattern	4 patterns, with the total recording time not less than 10 min		
Power loss recovery	Support		
Park action	Preset / patrol / pattern / pan scan / tilt scan / random scan / frame scan / panorama scan		
PTZ position display	On / off		
Freeze Frame	Support		
Password protection	Support		
Zone scanning / display	Scanning within programmed zone, display zone title		
Camera title	Programmable title display		
Compass	Support , the north can be set		
Scheduled task	Preset / patrol / pattern / pan scan / tilt scan / random scan / frame scan / panorama scan		
RS-485 communication diagnosis	Including failure information, e.g., wrong address, baud rate errors, et., displayed on the video screen in text		
Manchester code communication diagnosis	Including failure information, e.g., wrong address, baud rate errors s displayed on the video screen in special characters		
Infrared			
IR range	80m		
IR irradiation angle	Adjustable by zoom		
Alarm			
Alarm input	2 (7 alarm inputs optional)		
Alarm output	2 relay outputs, alarm response actions configurable (additional wires required)		
Alarm action	Preset / patrol / pattern / pan scan / tilt scan / random scan / frame scan / panorama scan / relay output		
Input/output			
Monitor output	1.0V[p-p] / 75Ω, NTSC (or PAL) composite, BNC		
General			
Menu language	English, Chinese		
RS-485 protocols	HIKVISION, Pelco-P, Pelco-D, self-adaptive		
Power supply	24 VAC (12 VDC optional)		
Power consumption	Max.50 W		
Working temperature / humidity	-30°C ~ 65°C (-22°F ~ 149°F), 90% or less		
Protection level	IP66 standard, TVS 4,000V lightning protection, surge protection and voltage transient protection		
Mounting	Various mounting modes optional		
Dimensions	Φ 230.6 × 351.5mm (Φ 9.08" × 13.84")		
Weight (approx.)	5.5kg (12.13lbs)		